

Specifications

		D160	D400
Detector			
Detector type		Uncooled FPA	
Detector		160x120	384x288
Pixel size		25μm	25μm
Spectral range		8μm~14μm	8μm~14μm
NETD		60mk	45mk
Lens			
Focal length		7mm	19mm
F#		1.1	1.0
IFOV		3.57mrad	1.32 mrad
Min.focus distance		0.5m	0.5m
FOV		31.9°×24.2°	28.3°×21.5°
Optical lens	Tele	15.2°×11.4°/15mm/F1.1	13.7°×10.3°/40mm/F1.1
	Wide angle	N/A	57°×45°/8.8mm/F1.0
	High temp	Yes	Yes
Lens installation		Buckle	
Focusing mode		Manual	
Measurement Analysis			
Temp range	Standard	-20°C~150°C	
	High temp	150°C~650°C 650°C~1500°C	
Accuracy		±2°C /±2%	
Measurement presets		Emissivity, environment temperature, distance, relative humidity	
Radiometric analysis		5 spots, 2 lines, 5 areas(max temp, min temp, average temp), Δ T, isotherm	
Image Presentation			
Display		4"high light touch screen	
Image type		IR, visible ,MIF, PIP	
Hardware			
Hardware		Visible(5 M Pixel), laser, illuminator , Wi-Fi, microphone , speaker(adjustable volume)	
Interface		USB,HDMI, SD card(16G, up to32G)	
Power System			
Battery type		Li-ion rechargeable ,operation time ≥4hours	
Certification		UN38.3	
Power management		Intelligent sleep mode	
Charge mode		In camera	
Function			
Digital zoom		1.1~4	
Palette		8	
Image storage		Standard JPG data with temp info, image can be displayed on PC with temp. info	
Video storage		Standard H.264 video with temp info	
Info superimpose		Customized LOGO, emissivity, shooting date and time, TMAX,TMIN	
System setting		date, language, timing on and off, factory reset	
Startup time		≤40S	
Image annotation		Voice, text, mark	
Other		60S voice record, isotherm, high/low temp tracking, temp alarm, dew point temp, low battery alarm, instant report	
Environmental parameter			
Encapsulation		IP54	
Drop test		2m	
Working temp		-10°C~50°C	
Storage temp		-40°C~70°C	
Certification		ROHS,CE,UL,FCC	
Dimension		264mm×137mm×78mm	
Weight		740g	
Standard accessories			
Thermal imager, lithium battery,adapter, USB cable, wristband, HDMI connecting line, CTP gloves, quick operation guide, specification, compact disk, list of accessories, SD card (16GB)			

GD_MD_GJ170323

GUIDE

D SERIES

Intelligent Thermographic IR Camera



D SERIES

Intelligent Thermographic IR Camera

D series are affordable intelligent thermographic IR cameras, the easy operation of D just like a smart phone, this makes the first-time user will feel himself as an expert. Its lightweight and accrued temperature helps you more efficient in temperature measurement.

Take visible photos in a low lighting environment with illuminator.

Find abnormal temperature points easily with laser designator.



4 inch touch screen, show thermal image clearly.

Micro USB, Micro HDMI allow for different external displays.



Take a photo with only 1 button.

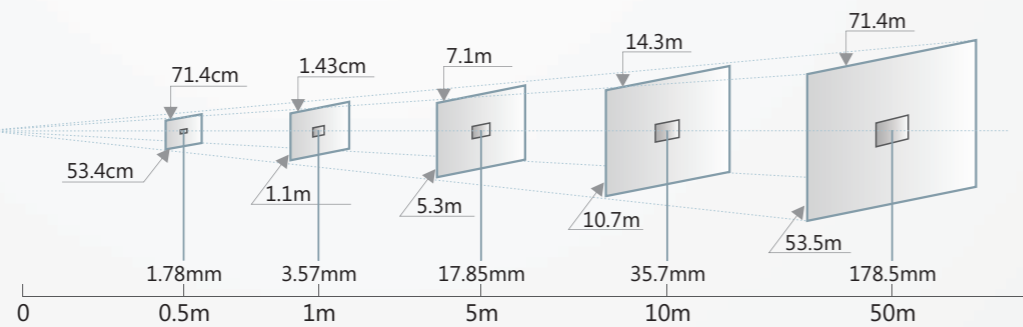
Ergonomics design provides comfortable holding. It could be held for long time easily.



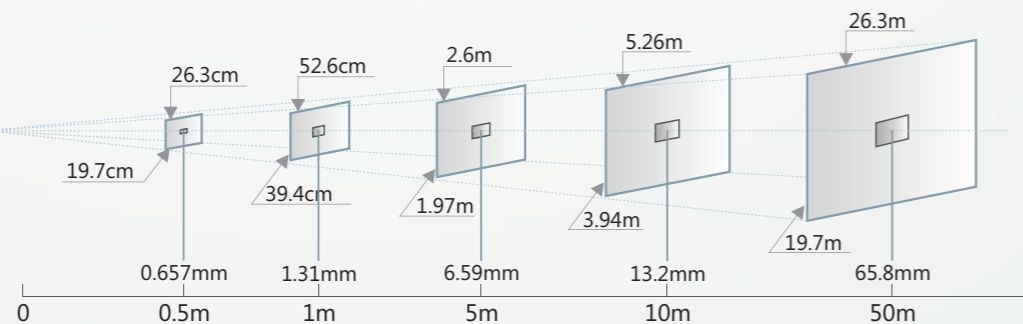
With 3200 mAh rechargeable Li-ion battery, makes 4-hour standby be possible.



D160
7mm FOV

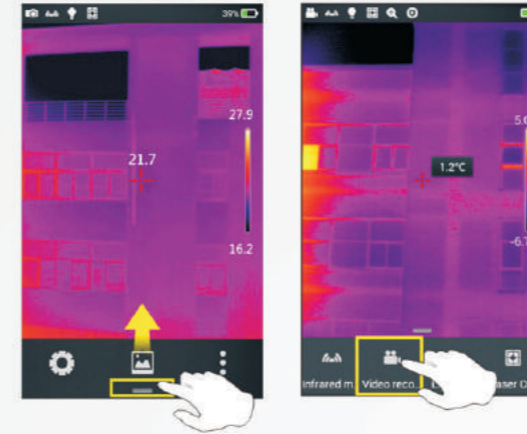


D400
19mm FOV



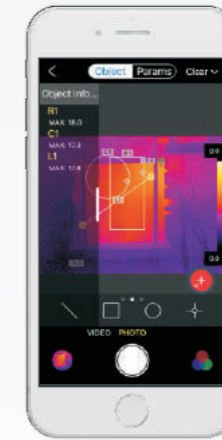
Easy operation

With Android system, all operation can be done on the 4 inch touch screen.



Wi-Fi share

Images and videos can be transferred to APP with Wi-Fi for further analysis and the report exporting.

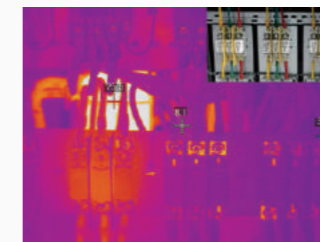


4 kinds images presentation

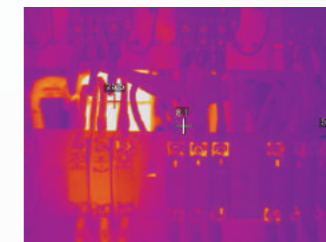
IR, visible, PIP, MIF, can be chosen for different occasions.



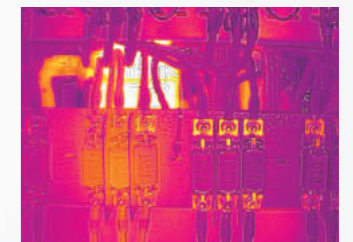
Visible



Picture in picture mode



IR image



MIF

Buckle type lens

Can quickly change wide angle lens, telephoto lens, high temperature filter lens as needed.



Light but rugged

Less than 800g, but has passed 2-meter drop test.

